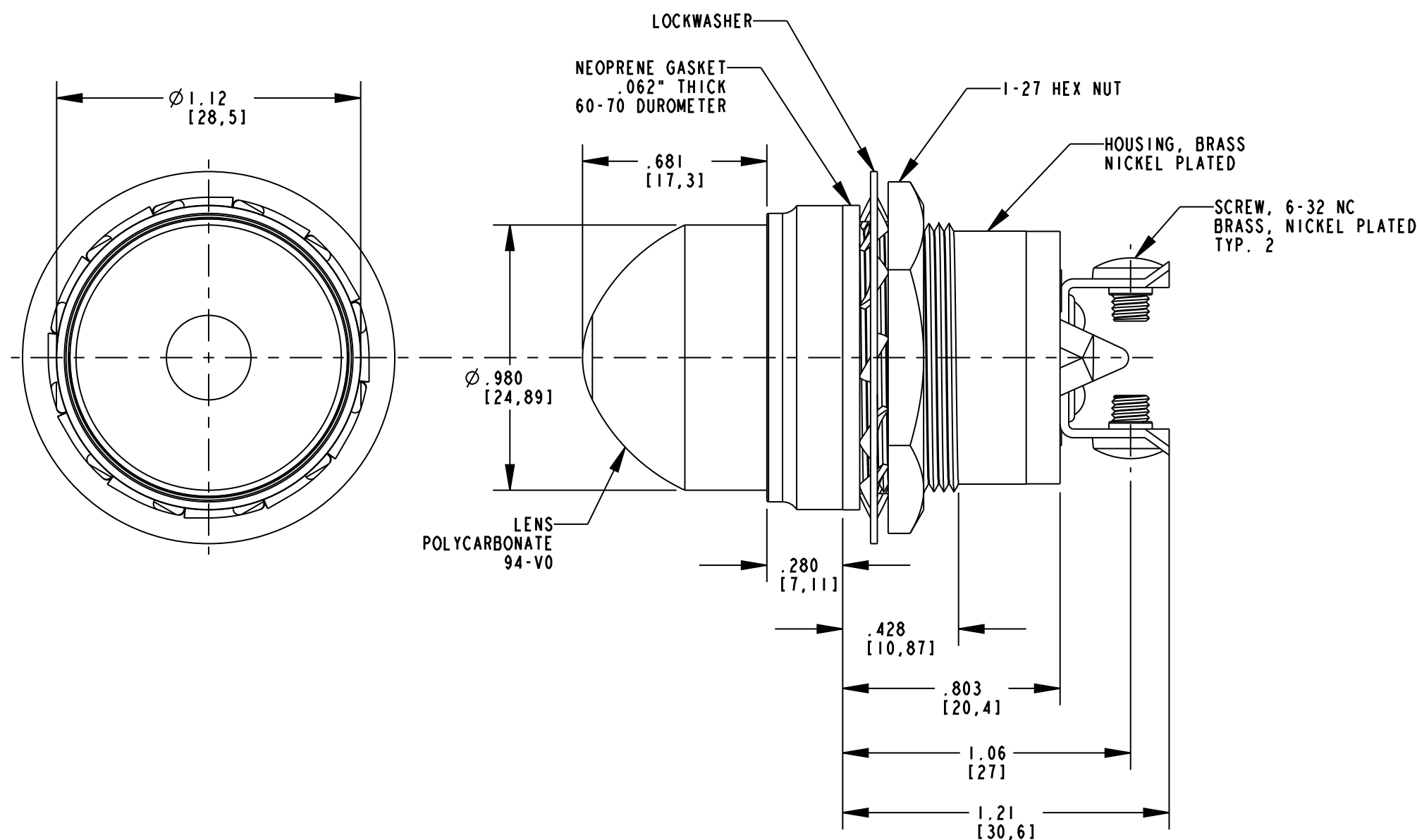
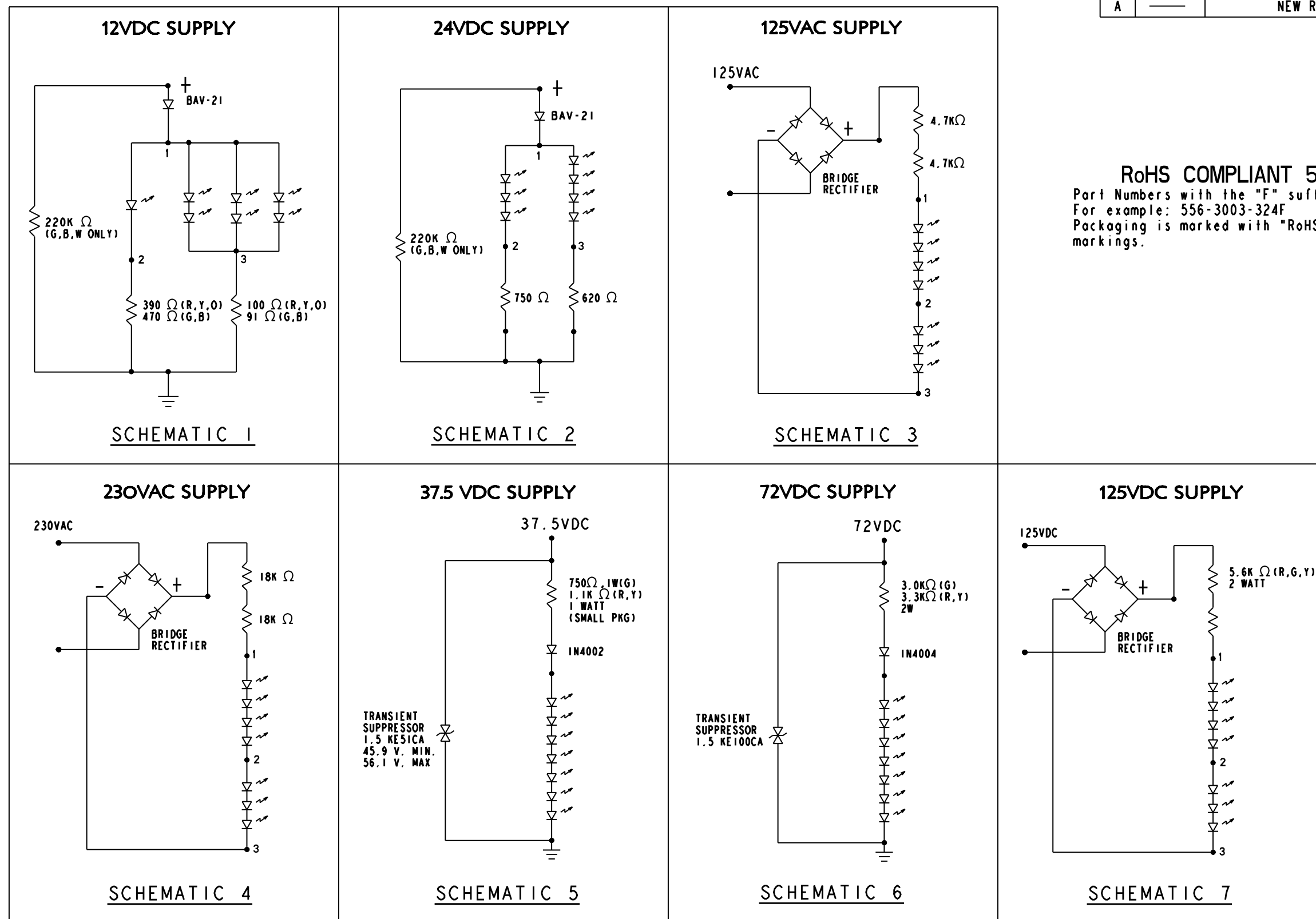


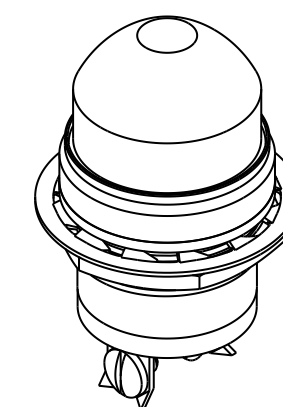
DIALIGHT PART NUMBER	LED COLOR	LENS COLOR	NOMINAL RATING	INTENSITY (fL)		CURRENT (mA)	SCHEMATIC DIAGRAM
				TYP	TYP		
556-3003-324F	WHITE	CLEAR	12 VDC	1200	60	1	
556-3503-324F	RED	RED	12 VDC	1300	95		
556-3603-324F	GREEN	GREEN	12 VDC	1800	60		
556-3683-324F	CYAN	CLEAR	12 VDC	1800	60		
556-3703-324F	YELLOW	YELLOW	12 VDC	1300	95		
556-3803-324F	BLUE	CLEAR	12 VDC	480	60	2	
556-3903-324F	ORANGE	ORANGE	12 VDC	480	95		
556-3004-324F	WHITE	CLEAR	24 VDC	1200	31		
556-3504-324F	RED	RED	24 VDC	1300	46		
556-3604-324F	GREEN	GREEN	24 VDC	1800	32		
556-3684-324F	CYAN	CLEAR	24 VDC	1800	32	5	
556-3704-324F	YELLOW	YELLOW	24 VDC	1300	46		
556-3804-324F	BLUE	CLEAR	24 VDC	480	32		
556-3904-324F	ORANGE	ORANGE	24 VDC	480	46		
556-3008-324F	WHITE	CLEAR	37 VDC	1200	16		
556-3508-324F	RED	RED	37 VDC	1000	20	6	
556-3608-324F	GREEN	GREEN	37 VDC	1800	16		
556-3708-324F	YELLOW	YELLOW	37 VDC	1000	20		
556-3006-324F	WHITE	CLEAR	72 VDC	1200	16		
556-3506-324F	RED	RED	72 VDC	1000	20		
556-3606-324F	GREEN	GREEN	72 VDC	1800	16	3	
556-3706-324F	YELLOW	YELLOW	72 VDC	1000	20		
556-3005-324F	WHITE	CLEAR	125 VAC	700	9.5		
556-3505-324F	RED	RED	125 VAC	500	10.5		
556-3605-324F	GREEN	GREEN	125 VAC	700	9.5		
556-3685-324F	CYAN	CLEAR	125 VAC	700	9.5	7	
556-3705-324F	YELLOW	YELLOW	125 VAC	500	10.5		
556-3805-324F	BLUE	CLEAR	125 VAC	180	9.5		
556-3905-324F	ORANGE	ORANGE	125 VAC	180	10.5		
556-3507-324F	RED	RED	125 VDC	700	10		
556-3607-324F	GREEN	GREEN	125 VDC	1000	10	4	
556-3707-324F	YELLOW	YELLOW	125 VDC	700	10		
556-3009-324F	WHITE	CLEAR	230 VAC	700	7		
556-3509-324F	RED	RED	230 VAC	500	7		
556-3609-324F	GREEN	GREEN	230 VAC	700	7		
556-3709-324F	YELLOW	YELLOW	230 VAC	500	7		
556-3809-324F	BLUE	CLEAR	230 VAC	180	7		
556-3909-324F	ORANGE	ORANGE	230 VAC	180	7		

REV	ECN NO	REVISIONS	DRN	CKD	APP	DATE
A		NEW RELEASE	AJF	KLJ	CJC	10-29-10

RoHS COMPLIANT 556-3XXX-324F
 Part Numbers with the "F" suffix ending are RoHS Compliant.
 For example: 556-3003-324F
 Packaging is marked with "RoHS Compliant" label or equivalent markings.



- NOTES:
- DIALIGHT PART NUMBER: 556-3XXX-324F.
 - THIS PRODUCT IS CERTIFIED FOR USE IN CLASS 1, DIVISION 2 HAZARDOUS LOCATIONS.
 - THIS PRODUCT IS WATER SEALED FROM FRONT OF PANEL.
 - MAXIMUM MOUNTING TORQUE: 40 IN-LBS.
 - FRONT MOUNTING IN 1" CLEARANCE HOLE.
 - MAXIMUM PANEL THICKNESS: .135".



THIS DRAWING AND THE CONTENTS HEREIN ARE CONFIDENTIAL AND THE SOLE PROPERTY OF DIALIGHT. REPRODUCTION OF THIS DRAWING OR CONSTRUCTION OF ANY PARTS WITHIN THIS DRAWING ARE FORBIDDEN WITHOUT THE WRITTEN CONSENT OF DIALIGHT.		
SCALE: 2.000	DRAWING NUMBER	REV
ALL DIM'S IN: INCHES (MM)	C-17880	A
TOLERANCES: UNLESS OTHERWISE SPECIFIED	TITLE 1" LED PMI, DOME LENS CLASS 1, DIV.2	
FRACTIONS: $\pm 1/64$	MATERIAL	
DECIMALS (.XX): $\pm .02$	Dialight	
DECIMALS (.XXX): $\pm .015$	1501 ROUTE 34 SOUTH FARMINGDALE, NJ 07727	
ANGLES: $\pm 1^\circ$	FSCM 83330	
FINISH:	SHEET 1 OF 1 FAMILY TABLE:	